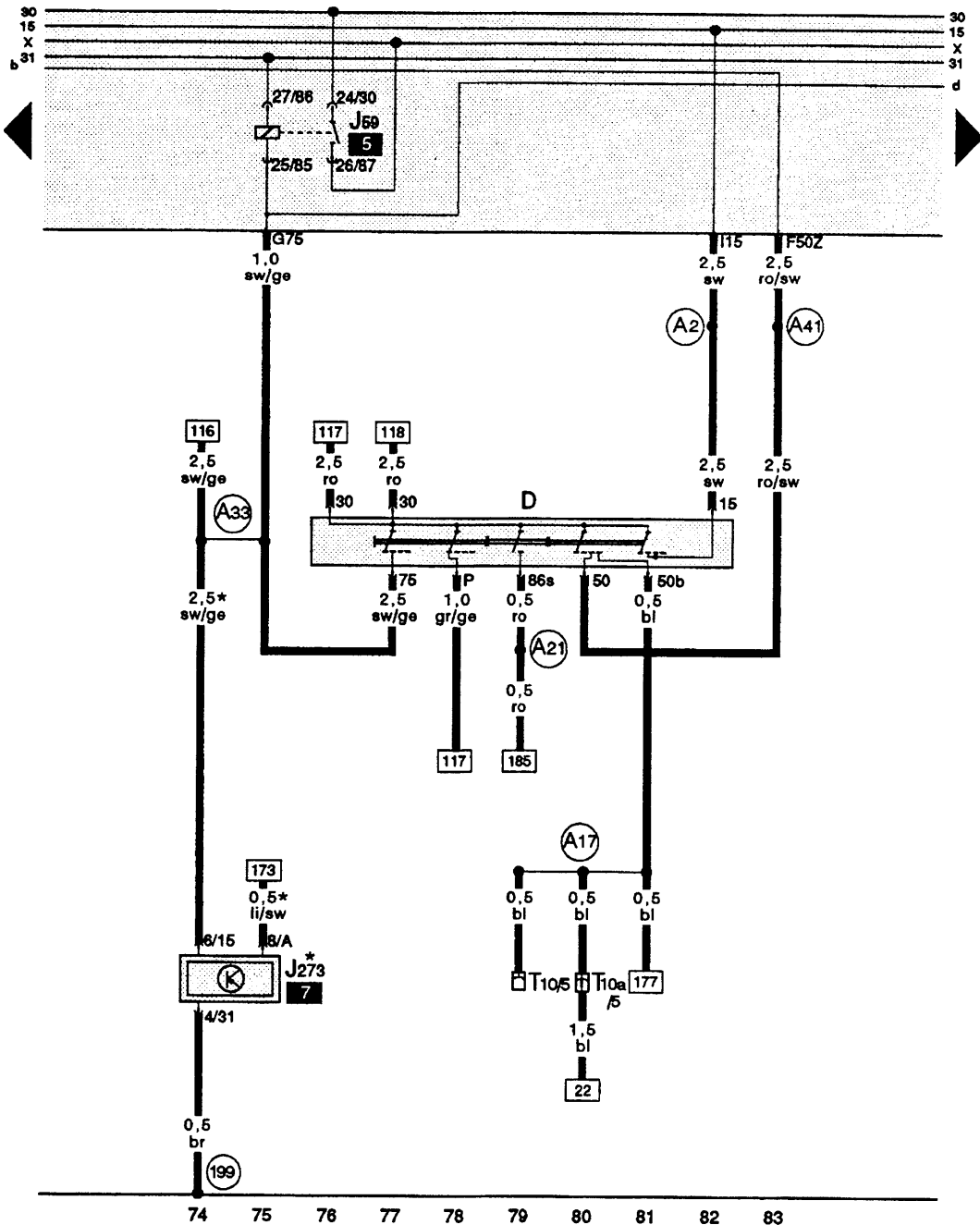


Ignition/starter switch, relief relay for X contact, fuel gauge damper



Wiring colours:

- bl = blue
- br = brown
- ge = yellow
- gn = green
- gr = grey
- li = purple
- ro = red
- sw = black
- ws = white

97-7923

- D – Ignition/starter switch
- J 59 – Relief relay for X contact
- J 273 – Control unit for fuel gauge damper
- T 10 – Connector 10 pin, black, connector point in aux. relay carrier
- T 10a – Connector 10 pin, yellow, connector point in aux. relay carrier
- (199) – Earth connection – 3 –, in dash panel wiring loom
- (A2) – Positive (+) connection (15), in dash panel wiring loom
- (A17) – Connection (61), in dash panel wiring loom
- (A21) – Connection (86s), in dash panel wiring loom
- (A33) – Connection (75), in dash panel wiring loom
- (A41) – Positive (+) connection (50), in dash panel wiring loom
- * – only on vehicles with four-wheel drive