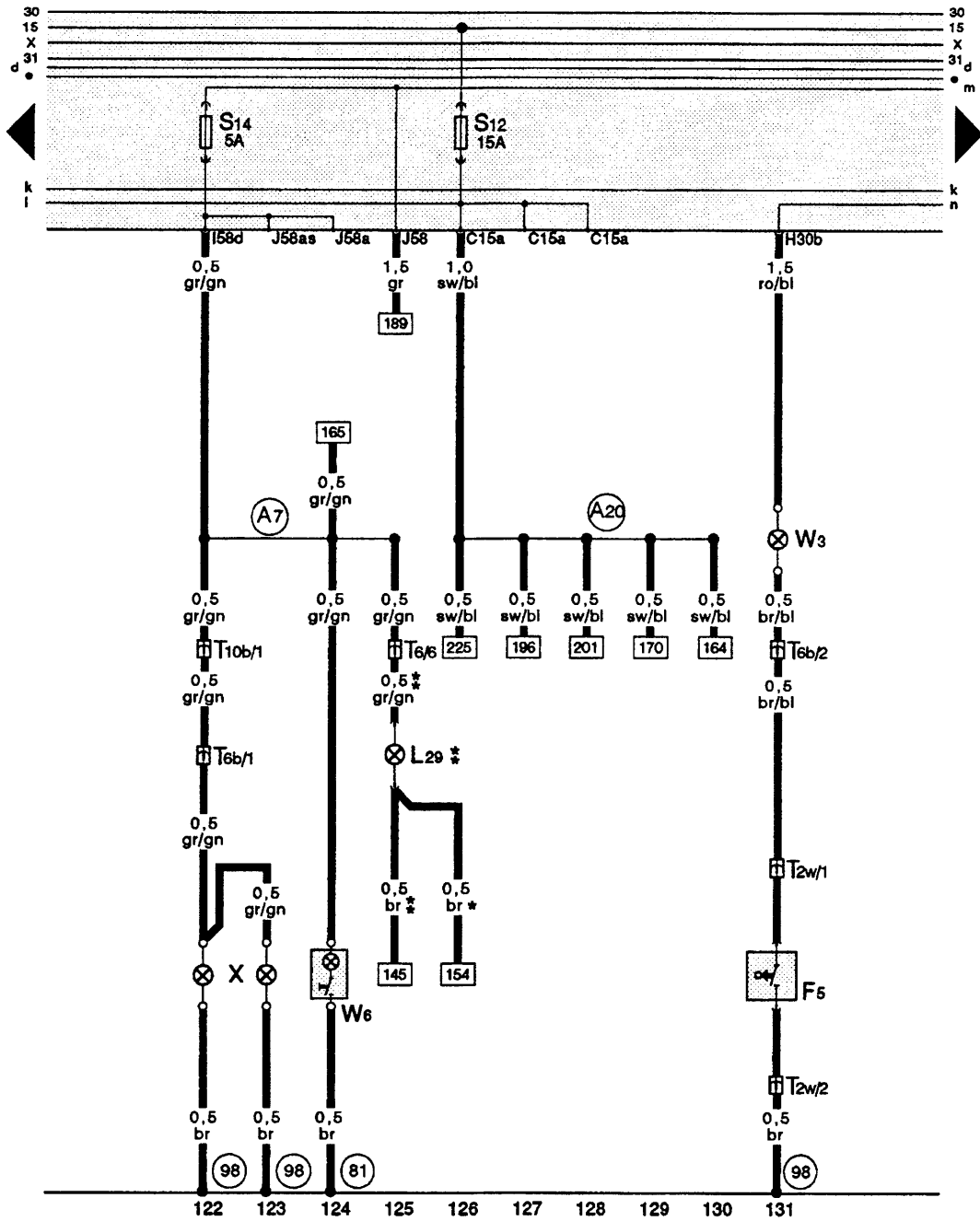


Glove box light, luggage boot light, number plate light, engine compartment light



Wiring colours:

- bl = blue
- br = brown
- ge = yellow
- gn = green
- gr = grey
- li = purple
- ro = red
- sw = black
- ws = white

- F 5 – Luggage boot light switch
- L 29 – Engine compartment light bulb
- T 2w – Connector 2 pin, black, in tailgate lock
- T 6 – Connector 6 pin, black, connector point in aux. relay carrier
- T 6b – Connector 6 pin, black, in luggage boot, left
- T 10b – Connector 10 pin, brown, connector point in aux. relay carrier
- W 3 – Luggage boot light
- W 6 – Glove box light
- X – Number plate light

- ⊕1 – Earth connection – 1 –, in dash panel wiring loom
- ⊕98 – Earth connection, in tailgate wiring loom
- ⊕A7 – Positive (+) connection (58 D1), in dash panel wiring loom
- ⊕A20 – Connection (15a), in dash panel wiring loom

- \* – only with heated washer jets/headlight washer system
- \*\* – only with engine compartment light

97-7927