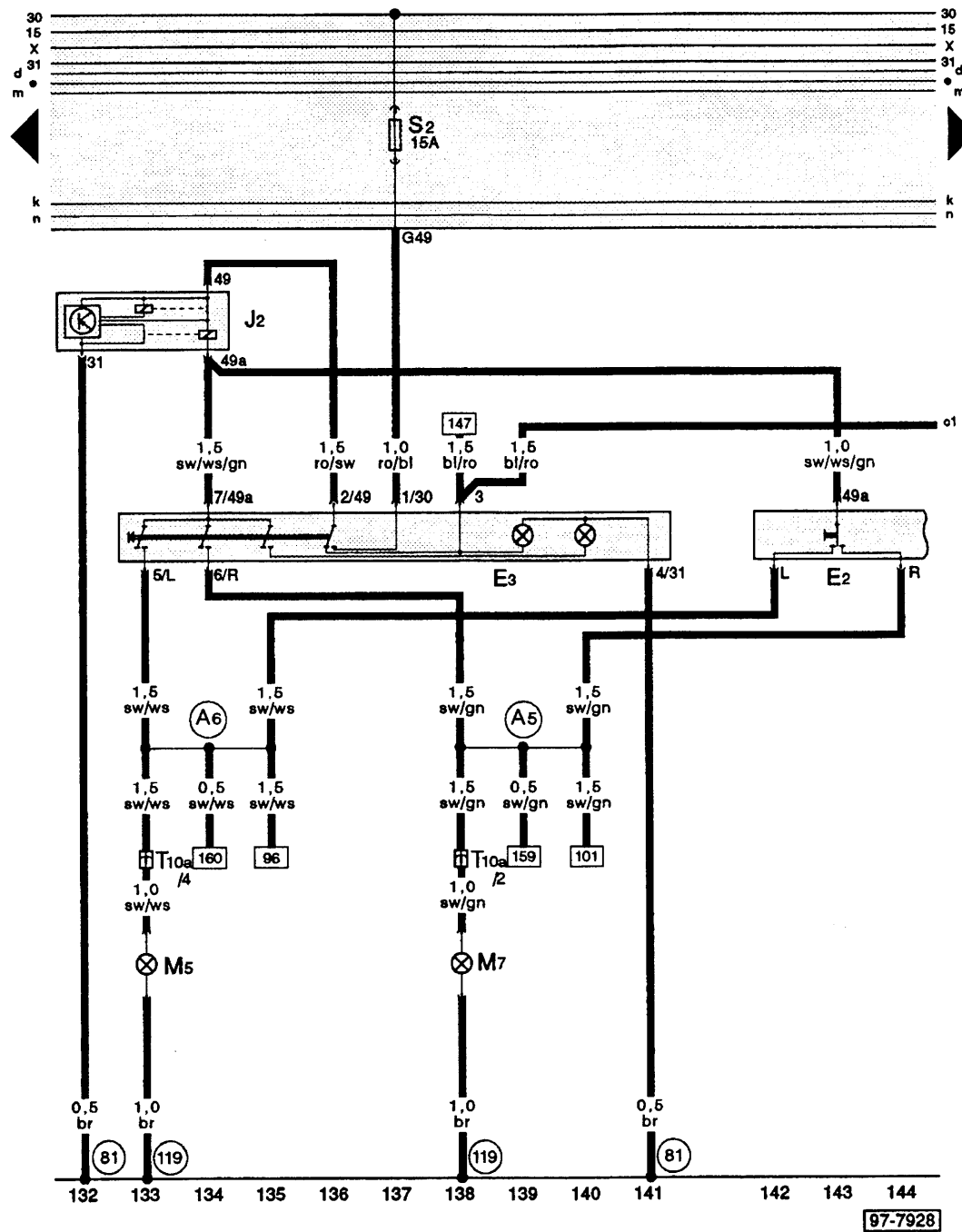


Turn signals and emergency lights



- E 2 – Turn signal switch
- E 3 – Emergency light switch
- J 2 – Emergency light relay
- M 5 – Front left turn signal bulb
- M 7 – Front right turn signal bulb
- T 10a – Connector 10 pin, connector point in aux. relay carrier
- (81) – Earth connection – 1 –, in dash panel wiring loom
- (119) – Earth connection – 1 –, in headlight wiring loom
- (A5) – Positive (+) connection (turn signal, right), in dash panel wiring loom
- (A6) – Positive (+) connection (turn signal, left), in dash panel wiring loom