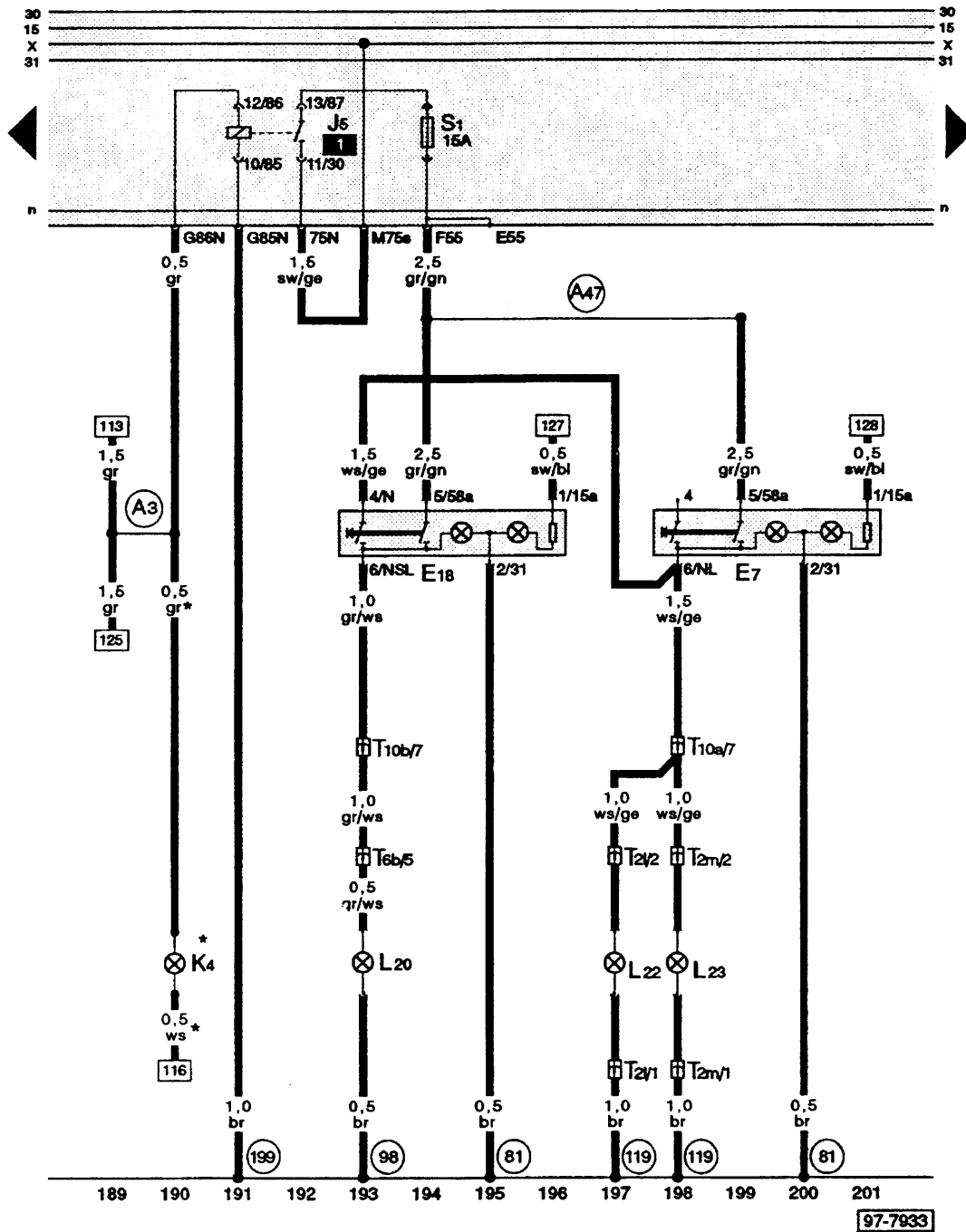


Fog lights, rear fog light, side light warning lamp



Wiring colours:

- bl = blue
- br = brown
- ge = yellow
- gn = green
- gr = grey
- li = purple
- ro = red
- sw = black
- ws = white

- E 7 – Fog light switch
- E 18 – Rear fog light switch
- J 5 – Fog light relay
- K 4 – Side light warning lamp
- L 20 – Rear foglight bulb
- L 22 – Fog light bulb, left
- L 23 – Fog light bulb, right
- T 2l – Connector 2 pin, black, in engine compartment, left
- T 2m – Connector 2 pin, black, in engine compartment, right
- T 6b – Connector 6 pin, black, in luggage boot, left
- T 10a – Connector 10 pin, yellow, connector point in aux. relay carrier
- T 10b – Connector 10 pin, brown, connector point in aux. relay carrier
- (81) – Earth connection – 1 –, in dash panel wiring loom
- (98) – Earth connection, in tailgate wiring loom
- (119) – Earth connection – 1 –, in headlight wiring loom
- (A3) – Positive (+) connection (58), in dash panel wiring loom
- (A47) – Connection (55), in dash panel wiring loom
- * – only on Italian versions