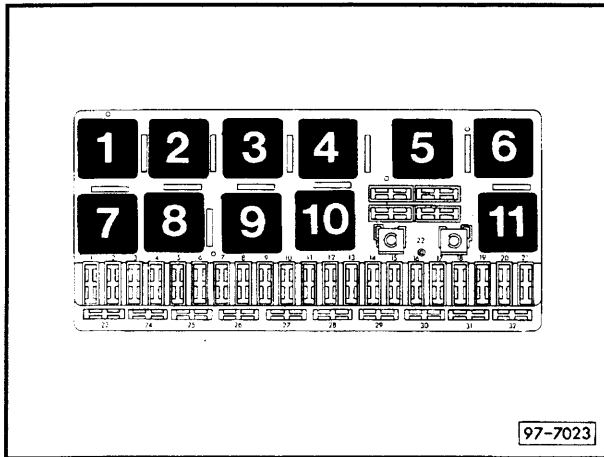


Radio Gamma – CD – with active loudspeakers, Audi 80

from July 1992

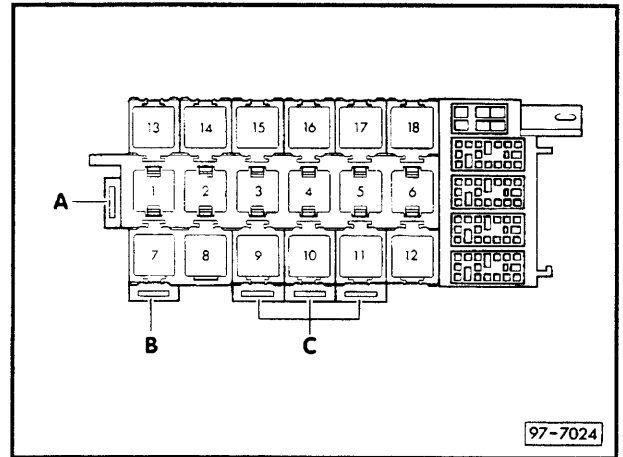
Position of relays – also see “Fitting Locations”

Relay plate with fuse holder:



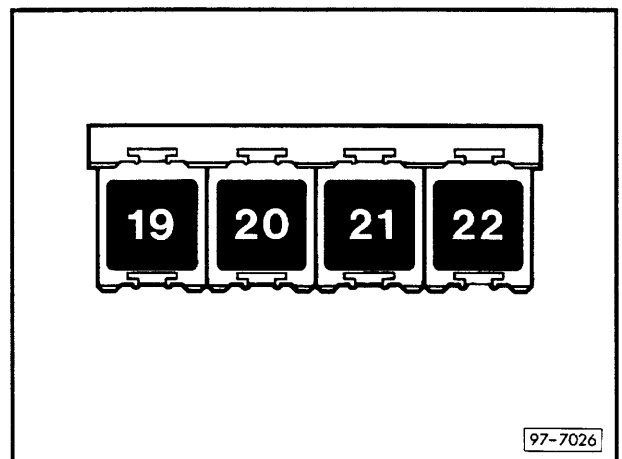
Position of relays:

Auxiliary relay carrier, front (under dash panel, left)



Position of relays:

Auxiliary relay carrier, rear (under rear seat bench, left)

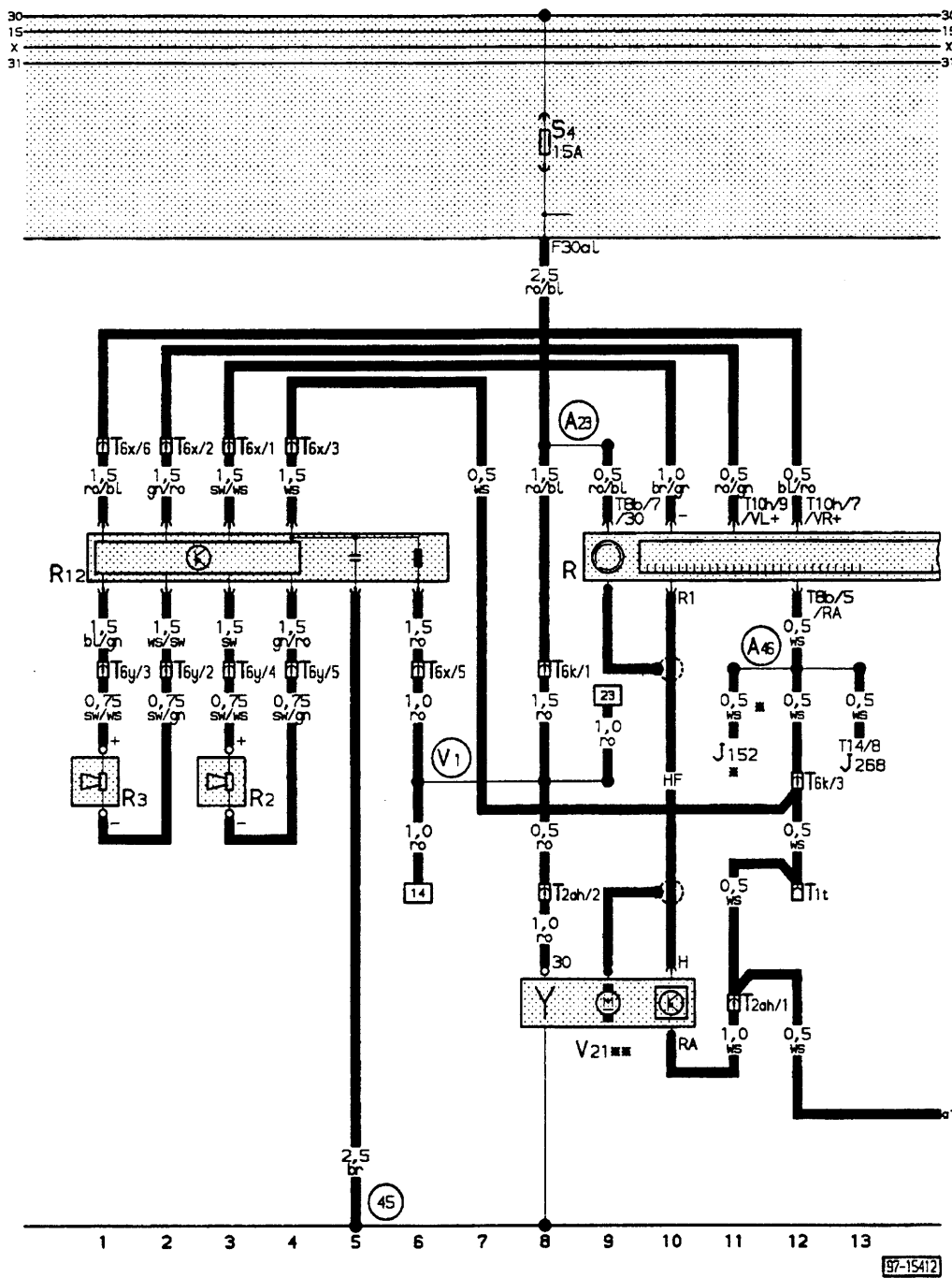


Position of relays:

Fuse colours

- 30 A – green
- 25 A – white
- 20 A – yellow
- 15 A – blue
- 10 A – red
- 5 A – beige

Radio Gamma – CD – with active loudspeakers



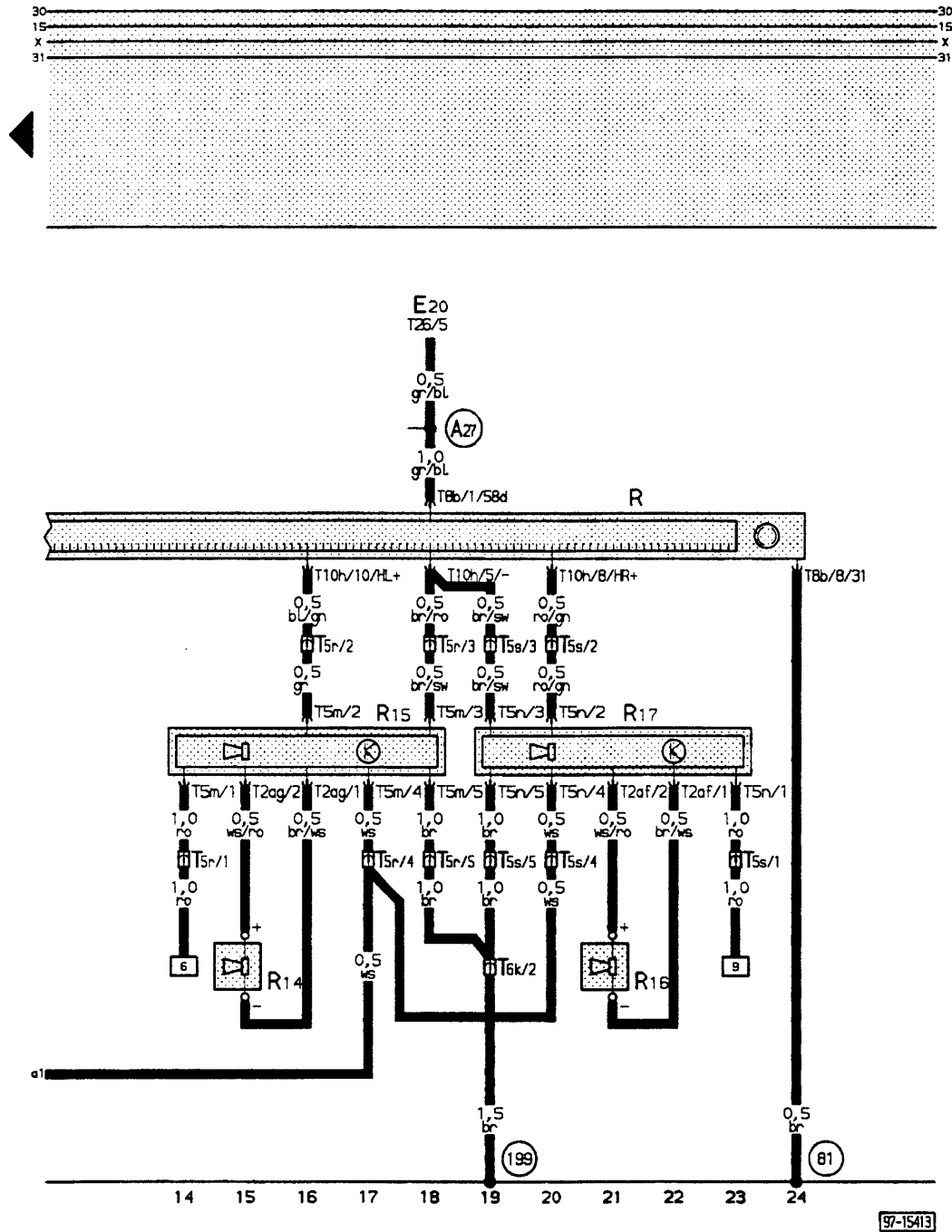
Wiring colours:

- bl = blue
- br = brown
- ge = yellow
- gn = green
- gr = grey
- li = purple
- ro = red
- sw = black
- ws = white

- J 152 – Buzzer for side lights and radio
- J 268 – Control unit for mini-check-system
- R – Radio
- R 2 – Front left loudspeaker
- R 3 – Front right loudspeaker
- R 12 – Amplifier
- T 1t – Connector single, in luggage boot, left
- T 2ah – Connector 2 pin, in luggage boot, left
- T 6k – Connector 6 pin, black, behind console
- T 6x – Connector 6 pin, black, on amplifier
- T 6y – Connector 6 pin, black, on amplifier
- T 8b – Connector 8 pin, on radio
- T 10h – Connector 10 pin, red, on radio
- T 14 – Connector 14 pin, white, on dash panel insert (mini-check system)
- V 21 – Aerial motor
- (45) – Earth point, behind dash panel – centre
- (A23) – Connection (30a1), in dash panel wiring loom

- (A46) – Positive (+) connection (30 – from radio), in dash panel wiring loom
- (V1) – Positive (+) connection (30) in rear loudspeaker wiring loom
- * – only with auto-check system
- ** – Diagram shows automatic power aerial
 - For normal telescopic aerial see CFD for radio Alpha and radio Beta
 - For rear window aerial see radio Gamma with passive loudspeakers

Radio Gamma – CD – with active loudspeakers



Wiring colours:
 bl = blue
 br = brown
 ge = yellow
 gn = green
 gr = grey
 li = purple
 ro = red
 sw = black
 ws = white

- E 20 – Switches and instruments – lighting control
- R – Radio
- R 14 – Treble loudspeaker rear left
- R 15 – Bass loudspeaker rear left
- R 16 – Treble loudspeaker rear right
- R 17 – Bass loudspeaker rear right
- T 2af – Connector 2 pin, on loudspeaker, rear right
- T 2ag – Connector 2 pin, on loudspeaker, rear left
- T 4o – Connector 4 pin, on loudspeaker, rear left
- T 4p – Connector 4 pin, on loudspeaker, rear right
- T 5m – Connector 5 pin, black, on loudspeaker, rear left
- T 5n – Connector 5 pin, black, on loudspeaker, rear right
- T 5r – Connector 5 pin, in rear left door
- T 5s – Connector 5 pin, in rear right door
- T 8b – Connector 8 pin, on radio
- T 10h – Connector 10 pin, red, on radio
- T 26 – Connector 26 pin, yellow, on dash panel insert

- (81) – Earth connection – 1 –, in dash panel wiring loom
- (199) – Earth connection – 3 –, in dash panel wiring loom