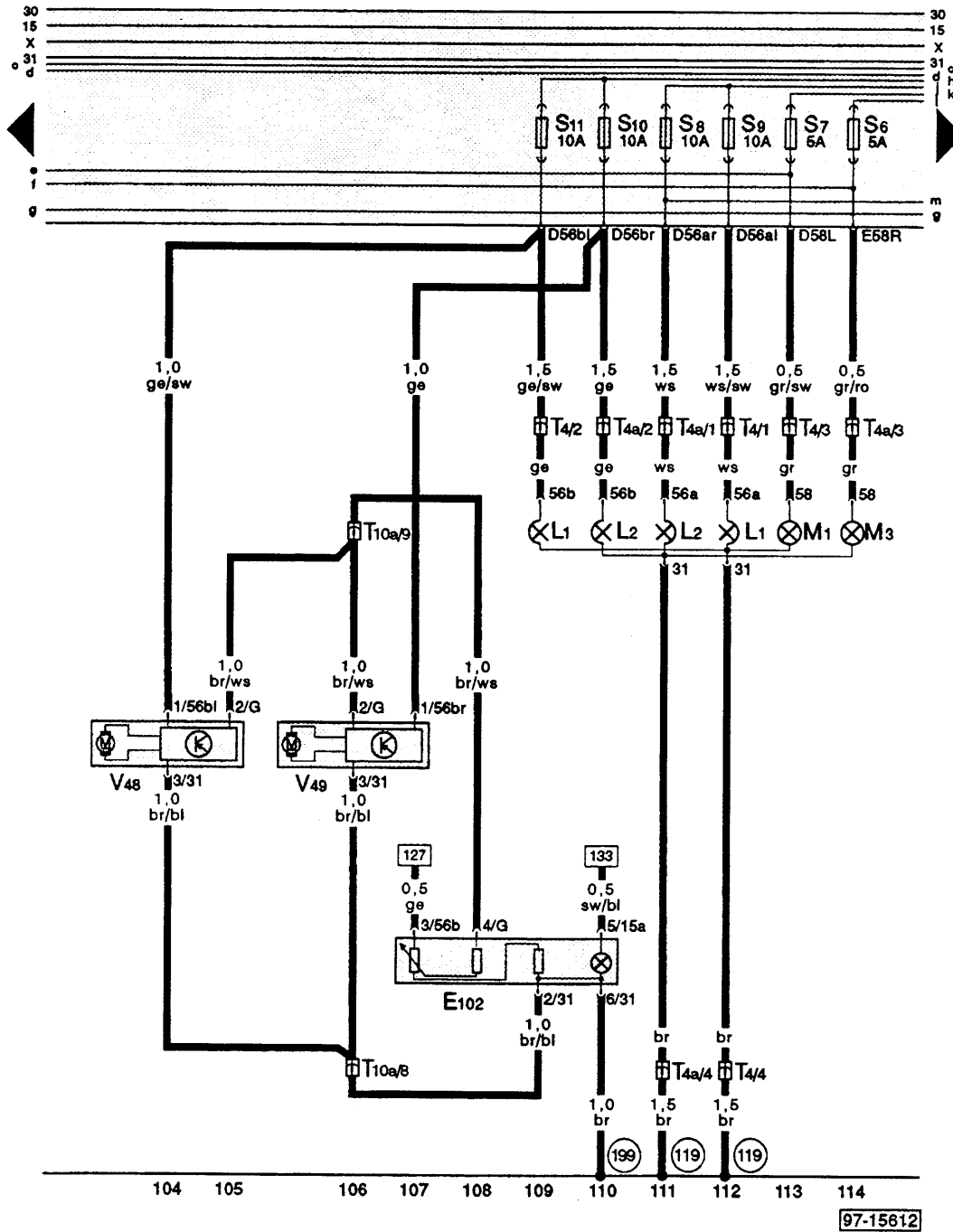


Headlights, side lights, headlight beam adjustment



**Wiring colours:**  
 ro = red  
 sw = black  
 br = brown  
 ge = yellow  
 gn = green  
 bl = blue  
 gr = grey  
 ws = white  
 li = purple

- E 102 – Headlight beam adjuster
- L 1 – Twin filament bulb, for left headlight
- L 2 – Twin filament bulb, for right headlight
- M 1 – Side light bulb, left
- M 3 – Side light bulb, right
- T 4 – Connector 4 pin, near headlight, left
- T 4a – Connector 4 pin, near headlight, right
- T 10a – Connector 10 pin, brown, connector point in aux. relay carrier
- V 48 – Motor left for beam adjustment
- V 49 – Motor right for beam adjustment
- (119) – Earth connection – 1 –, in headlight wiring loom
- (199) – Earth connection – 3 –, in dash panel wiring loom