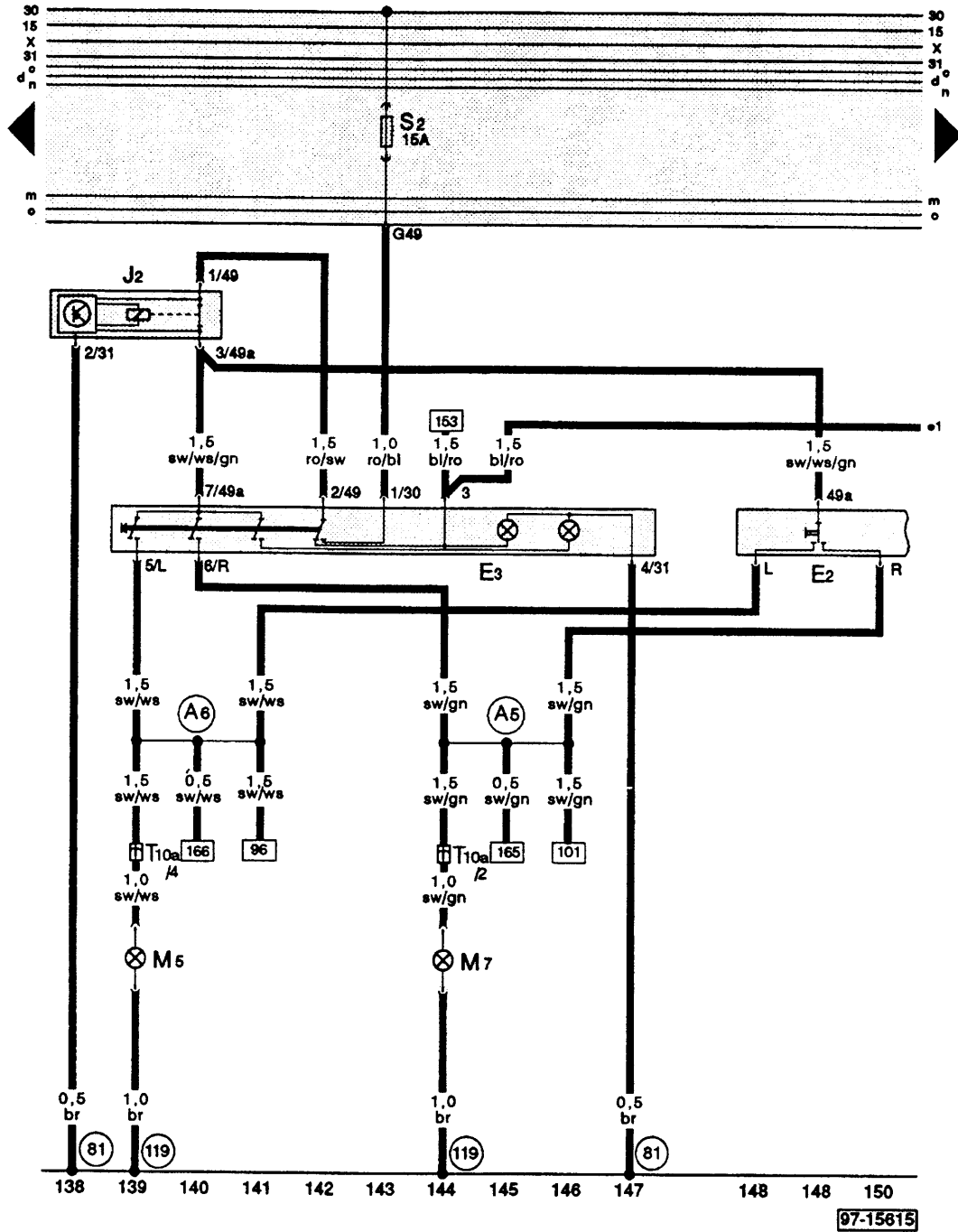


Turn signals and emergency lights



Wiring colours:

- ro = red
- sw = black
- br = brown
- ge = yellow
- gn = green
- bl = blue
- gr = grey
- ws = white
- li = purple

- E 2 – Turn signal switch
- E 3 – Emergency light switch
- J 2 – Emergency light relay
- M 5 – Front left turn signal bulb
- M 7 – Front right turn signal bulb
- T 10a – Connector 10 pin, yellow, connector point in aux. relay carrier
- Ⓢ1 – Earth connection – 1 –, in dash panel wiring loom
- Ⓢ119 – Earth connection – 1 –, in headlight wiring loom
- ⓈA5 – Positive (+) connection (turn signal, right), in dash panel wiring loom
- ⓈA6 – Positive (+) connection (turn signal, left), in dash panel wiring loom