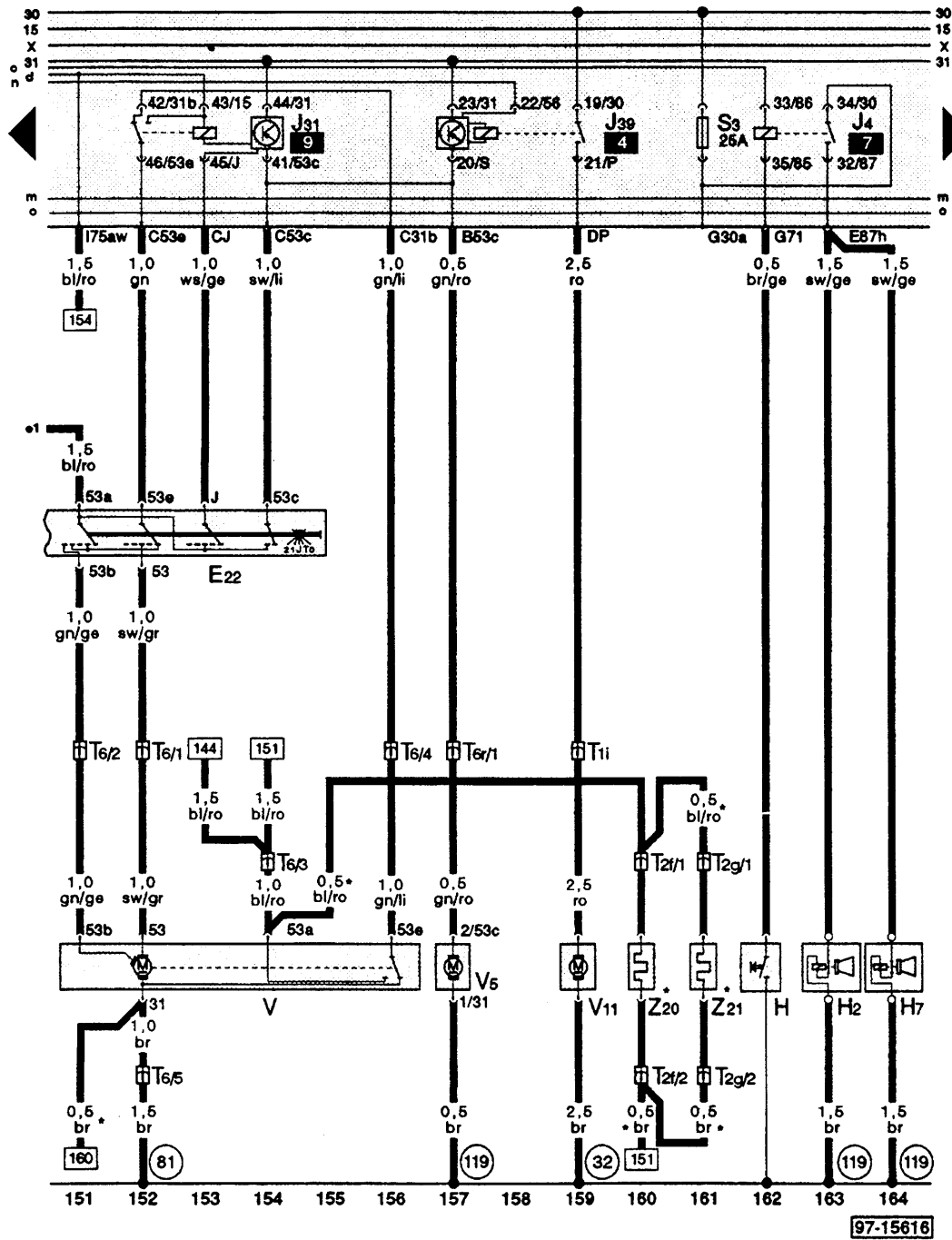


Windscreen wash/wipe, headlight washer system, heated washer jets, horn



- Wiring colours:**
- ro = red
  - sw = black
  - br = brown
  - ge = yellow
  - gn = green
  - bl = blue
  - gr = grey
  - ws = white
  - li = purple

- E 22 – Intermittent wiper switch
- H – Horn plate
- H 2 – High tone horn
- H 7 – Low tone horn
- J 4 – Dual tone horn relay
- J 31 – Intermittent wash/wipe relay
- J 39 – Headlight washer system relay
- T 1i – Connector single, white, behind dash panel, left
- T 2f – Connector 2 pin, near washer jet
- T 2g – Connector 2 pin, near washer jet
- T 6 – Connector 6 pin, black, connector point in aux. relay carrier
- T 6r – Connector 6 pin, black, behind dash panel, left
- V – Windscreen wiper motor
- V 5 – Windscreen washer pump
- V 11 – Headlight washer pump
- Z 20 – Heater resistance left washer jet
- Z 21 – Heater resistance right washer jet

- ⊖32 – Earth point, behind dash panel, left
- ⊖81 – Earth connection – 1 –, in dash panel wiring loom
- ⊖119 – Earth connection – 1 –, in headlight wiring loom
- \* – only when equipped with heated washer jets/ headlight washer system