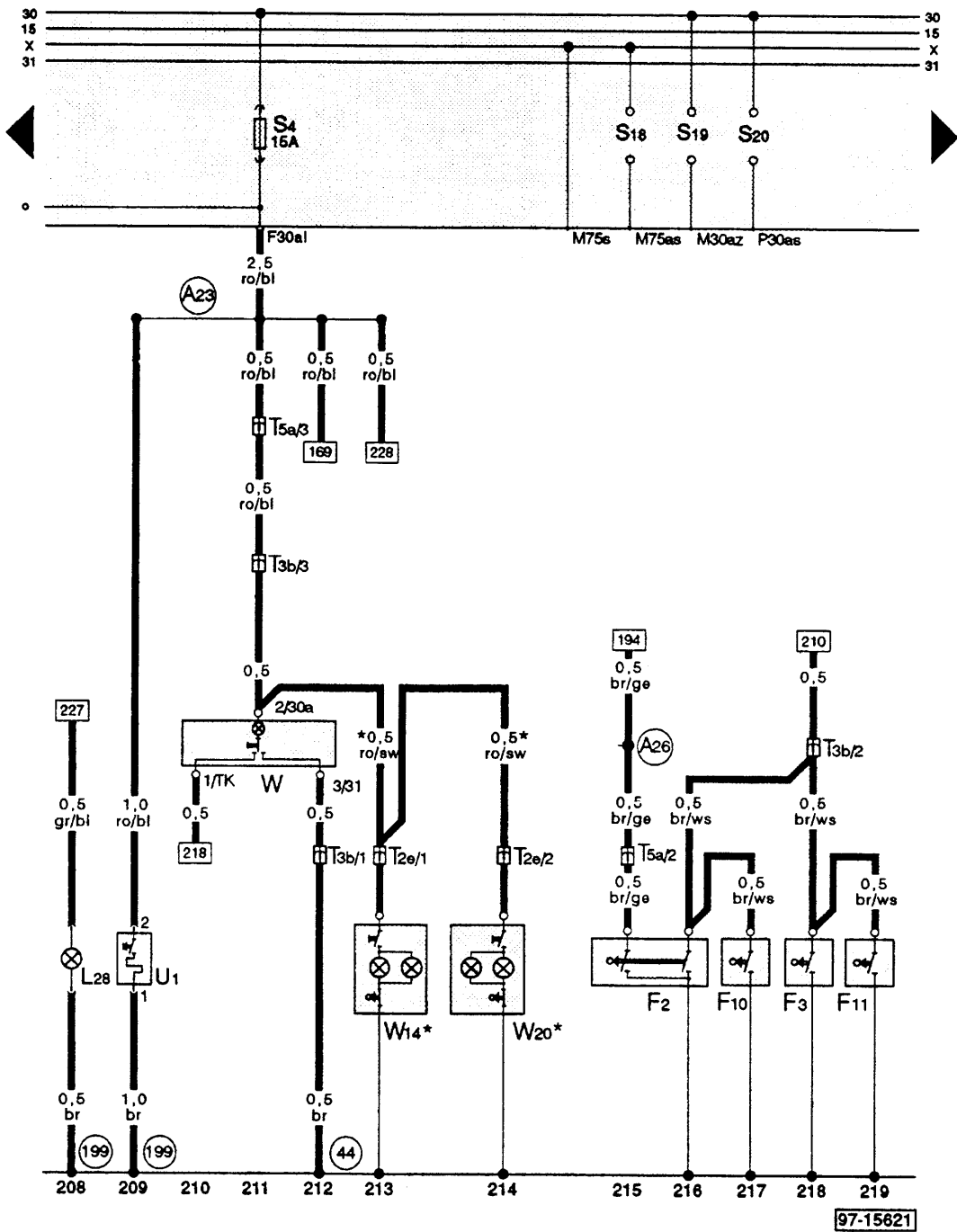


Interior light, door contact switch, illuminated make-up mirror, cigarette lighter



- bl = blue
- br = brown
- ge = yellow
- gn = green
- gr = grey
- li = lilac
- ro = red
- sw = black
- ws = white

- F 2 - Door contact switch, front left
- F 3 - Door contact switch, front right
- F 10 - Door contact switch, rear left
- F 11 - Door contact switch, rear right
- L 28 - Cigarette lighter light bulb
- T 2e - Connector, 2-pin, near interior light
- T 3b - Connector, 3-pin, green, behind dash panel, left
- T 5a - Connector, 5-pin, brown, connector point in aux. relay carrier
- U 1 - Cigarette lighter
- W - Interior light, front
- W 14 - Illuminated make-up mirror (front passenger side)
- W 20 - Illuminated make-up mirror (driver's side)
- (44) - Earth point, A-pillar, left lower
- (199) - Earth connection -3-, in dash panel wiring loom
- (A23) - Connection (30 al), in dash panel wiring loom
- (A26) - Connection (door contact switch/driver's side), in dash panel wiring loom
- * - With illuminated make-up mirror only